



GAI-TRONICS® CORPORATION

A HUBBELL COMPANY

Battery Backup Kit

Model 190-001BB

Confidentiality Notice

This manual is provided solely as an operational, installation, and maintenance guide and contains sensitive business and technical information that is confidential and proprietary to GAI-Tronics. GAI-Tronics retains all intellectual property and other rights in or to the information contained herein, and such information may only be used in connection with the operation of your GAI-Tronics product or system. This manual may not be disclosed in any form, in whole or in part, directly or indirectly, to any third party.

General Information

The Model 190-001BB Battery Backup Kit is designed for use in the Model CB193-xxx, CB-194-xxx, and CB195-xxx RF Call Boxes. This kit includes the following components:

Qty	Description
1	Battery, 12 V, 1.3 Ah
1	Battery Bracket
1	Gasket Pad (adhesive backed)
2	Screw, #6-32 × .25-inch

Installation

Refer to Figure 1 on page 2.

1. Peel the covering and apply the adhesive-backed gasket pad to the interior wall of the call box where the battery will be located.
2. For Model CB193-xxx and CB194-xxx RF Call Boxes, install the battery bracket using the two #6-32 screws provided. For the Model CB195-xxx RF Call Box, remove the three screws installed within the call box and use them to install the battery bracket. Discard the two screws provided with this kit.
3. Insert the battery in the battery bracket.
4. Connect the call box wiring to the battery terminals: red to the positive terminal, and black to negative terminal.

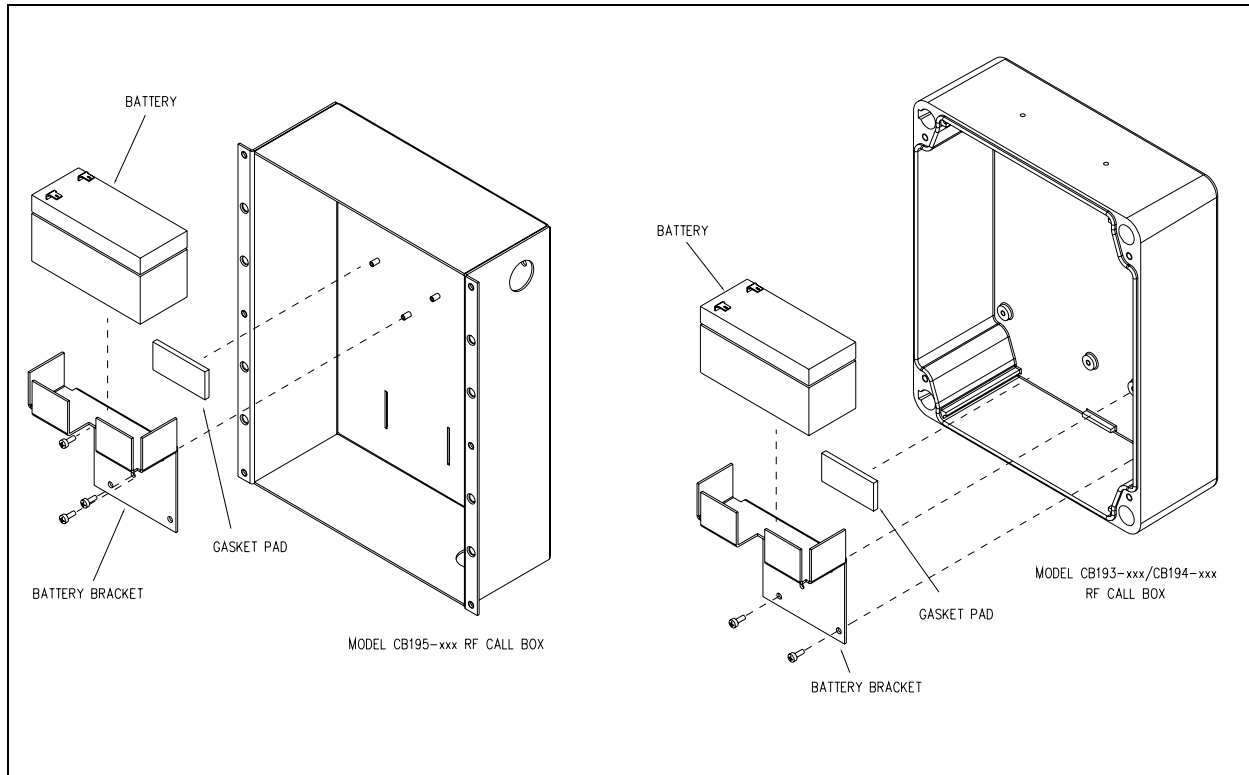


Figure 1. Installation of the gasket pad, battery bracket, and battery in the RF Call Boxes